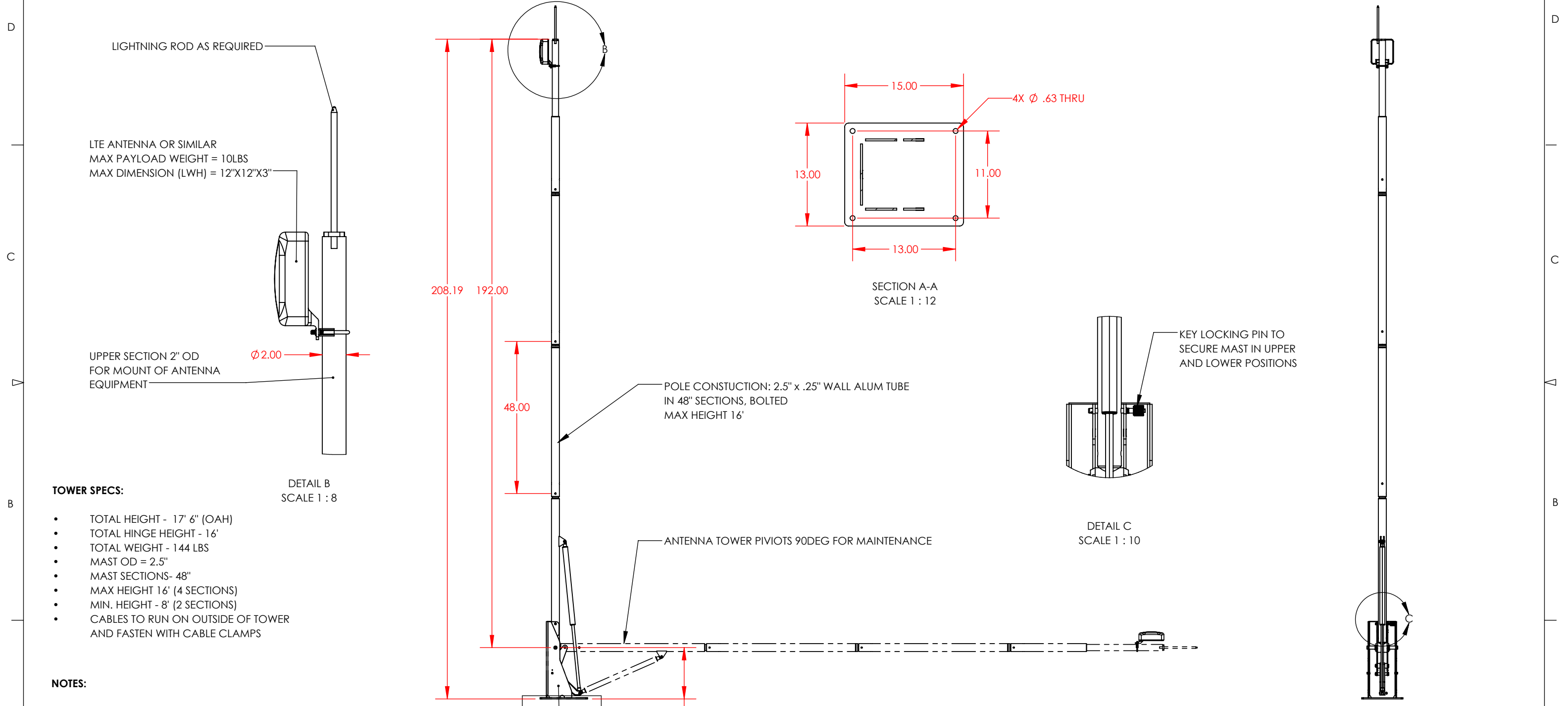


REVISION HISTORY			
REV.	DESCRIPTION	DATE	ECO #
01	ENG. PRE RELEASE	3/22/2022	
02	VERSION 2-PRE-RELEASE	7/30/2022	
A	FINAL RELEASE	9/9/2022	



- TOWER SPECS:**
- TOTAL HEIGHT - 17' 6" (OAH)
 - TOTAL HINGE HEIGHT - 16'
 - TOTAL WEIGHT - 144 LBS
 - MAST OD = 2.5"
 - MAST SECTIONS- 48"
 - MAX HEIGHT 16' (4 SECTIONS)
 - MIN. HEIGHT - 8' (2 SECTIONS)
 - CABLES TO RUN ON OUTSIDE OF TOWER AND FASTEN WITH CABLE CLAMPS

- NOTES:**
1. MINIMUM CONCRETE PAD- 42" X 42" X 9" (LWH)
 2. MINIMUM CONCRETE - 3000 PSI
 3. #4 REBAR ON 9" CENTERS TOP AND BOTTOM
 4. MINIMUM ANCHOR BOLT OD- 1/2"
 5. MINIMUM ANCHOR LENGTH EMBEDMENT - 6"
 6. MINIMUM CONCRETE BELOW ANCHOR - 1 1/4"
 7. ANCHORS RECOMMENDED TO BE ADHESIVE ANCHORED THREADED ROD. USE HILTI HAS THREADED ROD WITH HILTI HIT-HY 200-A V3 OR SIMILAR

PROPRIETARY & CONFIDENTIAL THE INFORMATION CONTAINED IN THIS DRAWING IS THE SOLE PROPERTY OF BLUE STAR TOWERS, LLC. ANY REPRODUCTION WITHOUT WRITTEN CONSENT IS PROHIBITED.	UNLESS OTHERWISE SPECIFIED .X..... ±.030 .XX..... ±.020 .XXX..... ±.010 .XXXX..... ±.005 ANGULAR..... ± 1° FINISH..... 125RA		APPROVALS NAME: BJKH DATE: 3/22/2022 DRAWN BY: CHECKED BY: ENG APPR.:	BLUE STAR TOWERS TITLE: TILT DOWN TOWER
	THIRD ANGLE PROJECTION 	MATERIAL STOCK SIZE FINISH	INTERPRET PER ASME Y14.5-2009	SCALE: 1:30 SHEET: 1 OF 2



TITLE: TILT DOWN TOWER

SIZE: B	DRAWING NO.:	REV.:
	PAD MOUNT	A

8 7 6 5 4 3 2 1

D

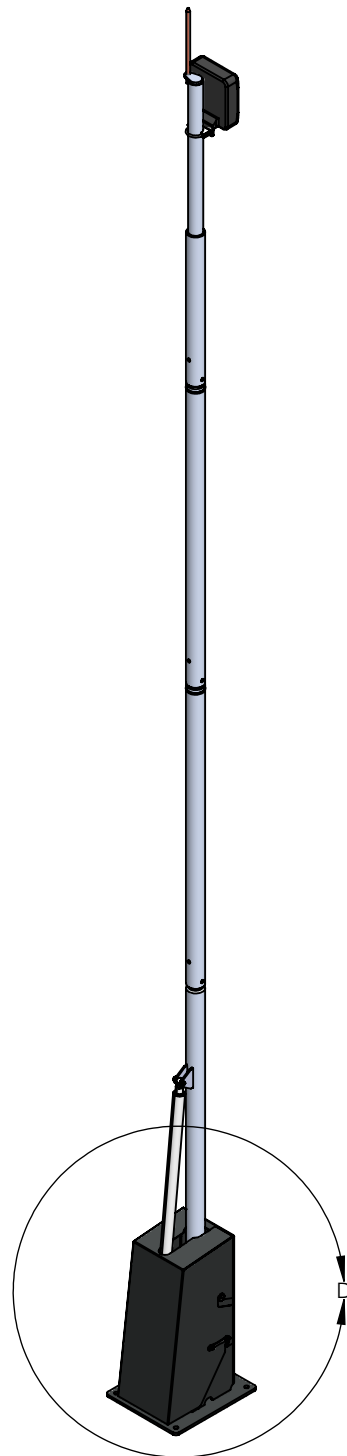
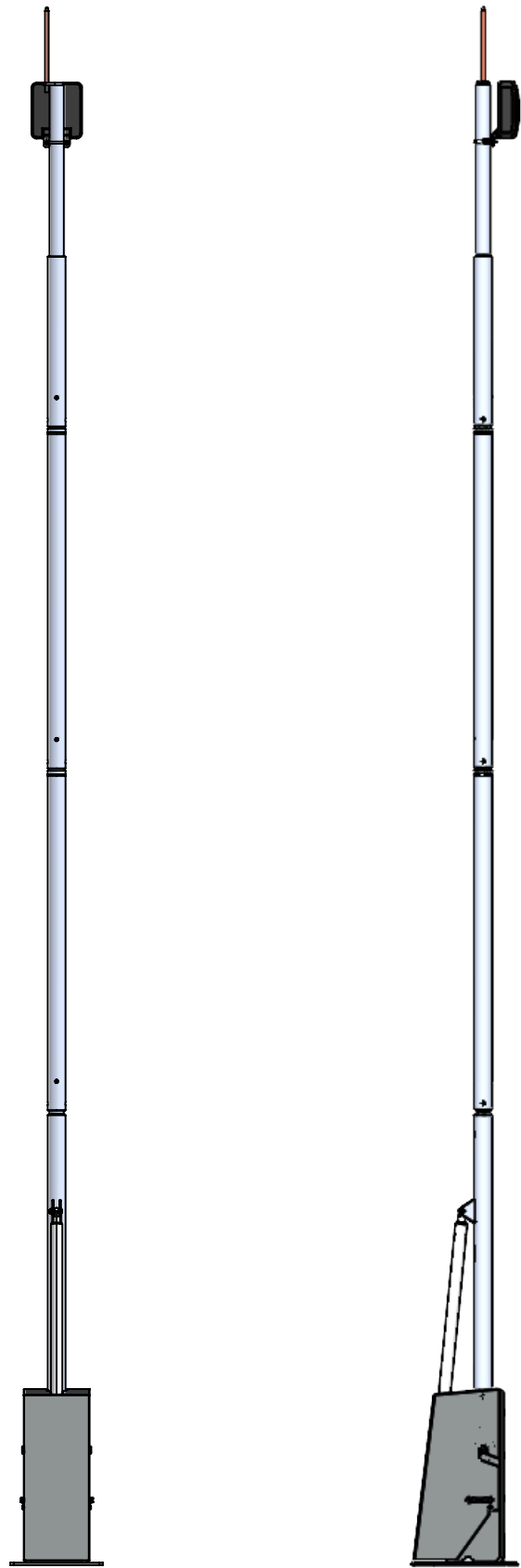
C

B

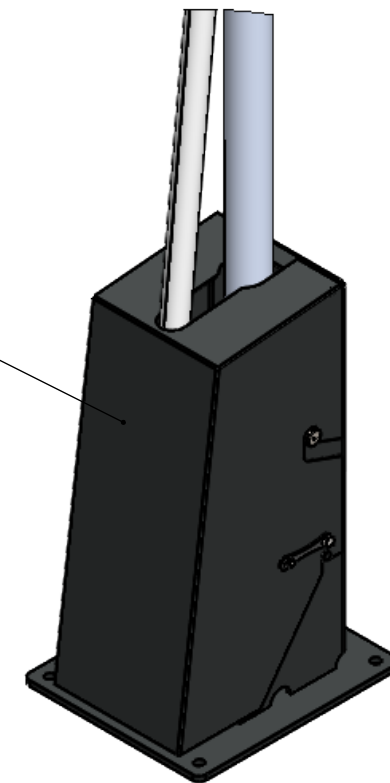
A

A


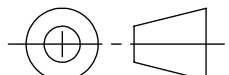
8 7 6 5 4 3 2 1



WEATHER COVER
(NON LOCKING)



DETAIL D
SCALE 1 : 10

PROPRIETARY & CONFIDENTIAL		UNLESS OTHERWISE SPECIFIED		APPROVALS	NAME	DATE		
THE INFORMATION CONTAINED IN THIS DRAWING IS THE SOLE PROPERTY OF BLUE STAR TOWERS, LLC. ANY REPRODUCTION WITHOUT WRITTEN CONSENT IS PROHIBITED.		.X..... ± .030	.XX..... ± .020	DRAWN BY	BJH	3/22/2022		
THIRD ANGLE PROJECTION		MATERIAL		CHECKED BY			SIZE: DRAWING NO. REV.	
		STOCK SIZE		ENG APPR.			B PAD MOUNT A	
		FINISH		INTERPRET PER	ASME Y14.5-2009		WEIGHT: SHEET: 2 OF 2	
		DO NOT SCALE DRAWING		SCALE:	1:25			

D

C

B

A

A

8 7 6 5 4 3 2 1