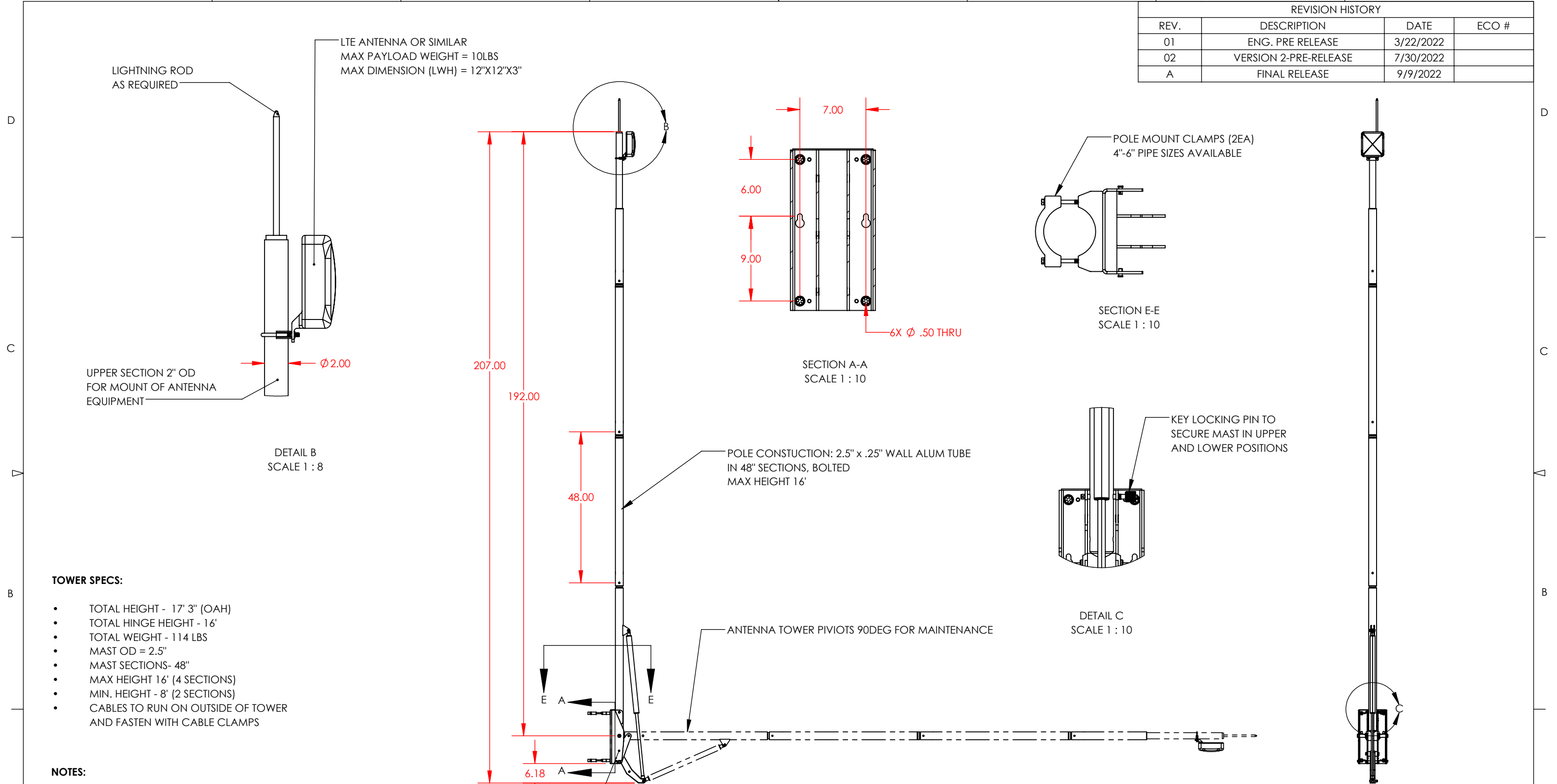


REVISION HISTORY			
REV.	DESCRIPTION	DATE	ECO #
01	ENG. PRE RELEASE	3/22/2022	
02	VERSION 2-PRE-RELEASE	7/30/2022	
A	FINAL RELEASE	9/9/2022	



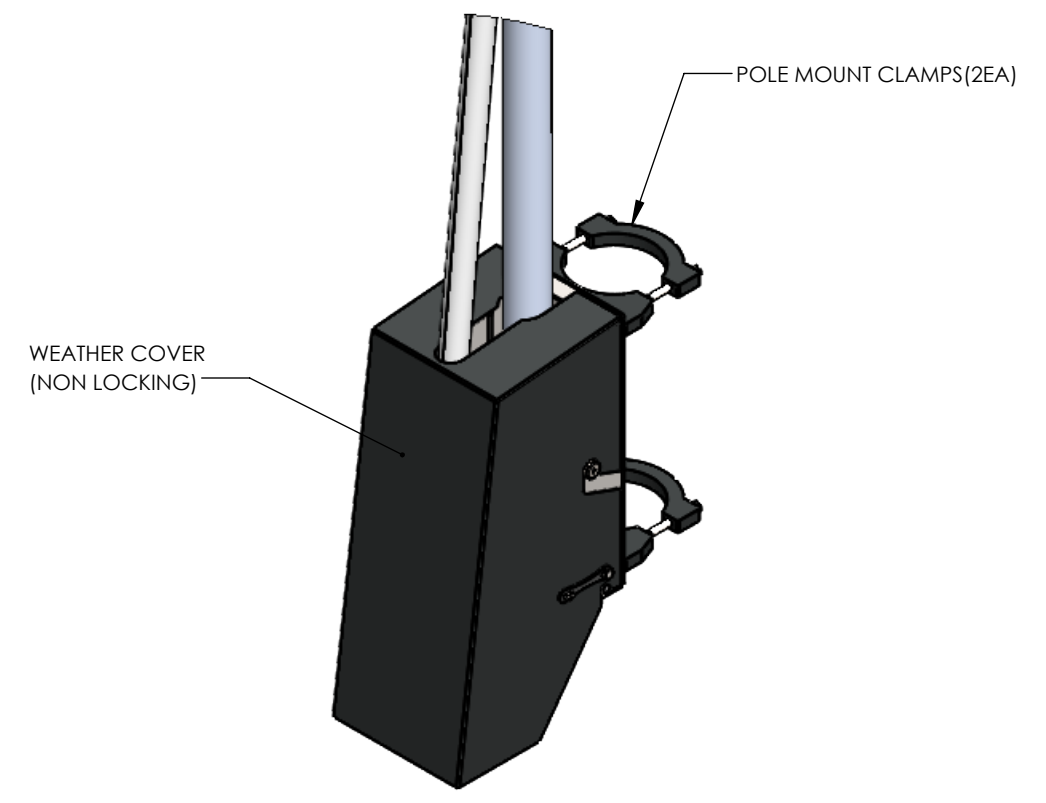
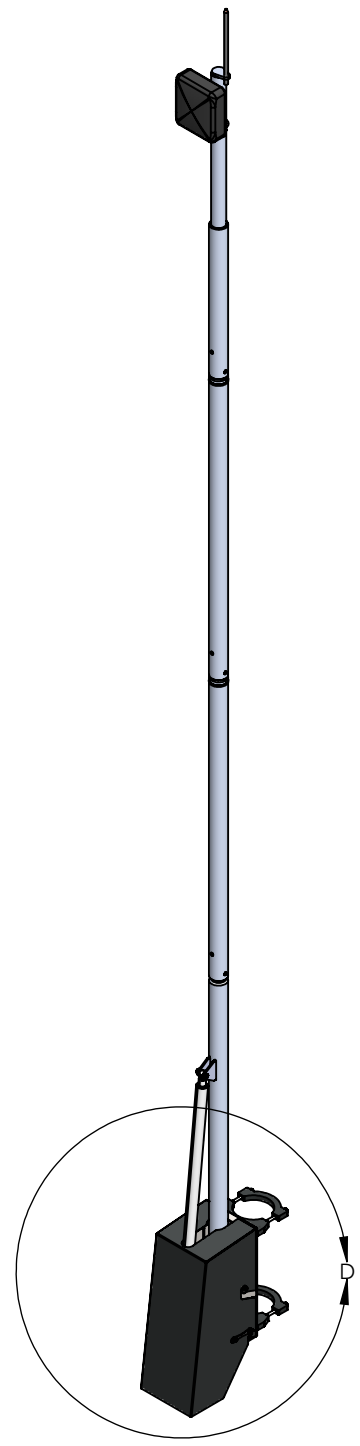
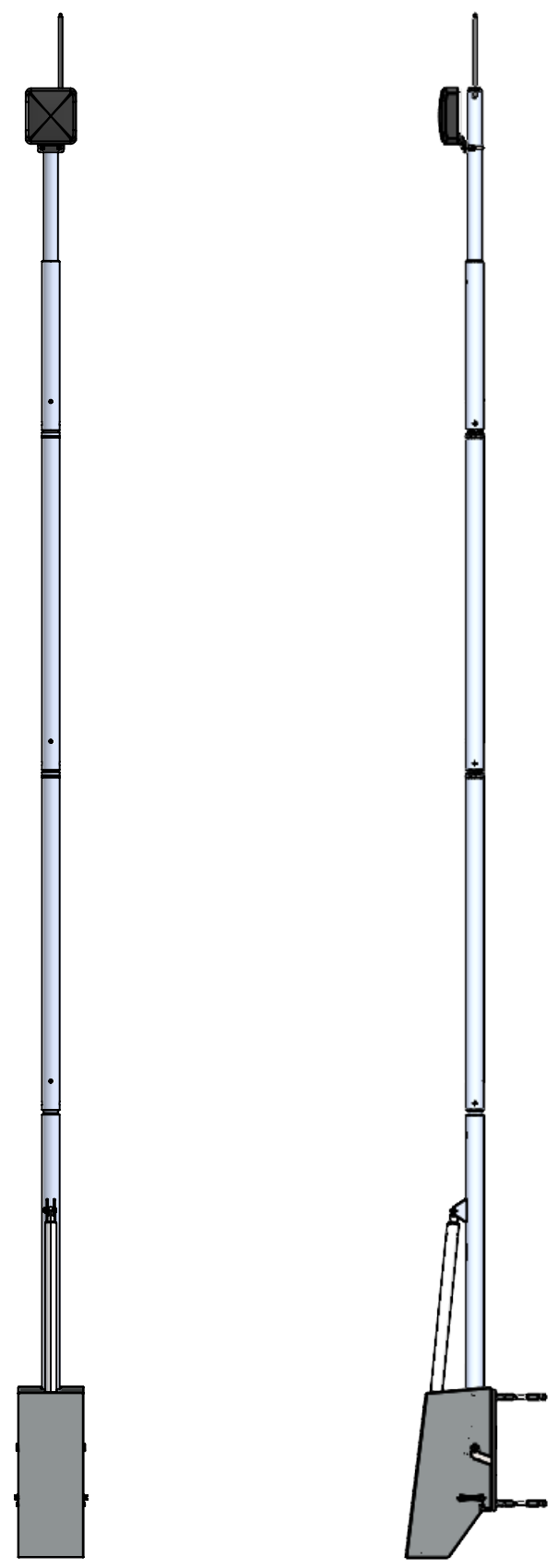
- TOWER SPECS:**
- TOTAL HEIGHT - 17' 3" (OAH)
 - TOTAL HINGE HEIGHT - 16'
 - TOTAL WEIGHT - 114 LBS
 - MAST OD = 2.5"
 - MAST SECTIONS- 48"
 - MAX HEIGHT 16' (4 SECTIONS)
 - MIN. HEIGHT - 8' (2 SECTIONS)
 - CABLES TO RUN ON OUTSIDE OF TOWER AND FASTEN WITH CABLE CLAMPS

- NOTES:**
1. MOUNT TO GROUND ANCHORED PIPE.
 2. PIPE/POLE MOUNTS AVAILABLE FOR 4, 5 AND 6" PIPE SIZES.
 3. MINIMUM PIPE SETTING RECOMMENDATION: PIPE TO BE GROUND SET IN CONCRETE AT A MINIMUM OF 48" DEPTH
 4. PLEASE NOTE: ENGINEERING FOR PIPE GROUND SET TO BE DONE BY OTHERS.

PROPRIETARY & CONFIDENTIAL		UNLESS OTHERWISE SPECIFIED		APPROVALS	NAME	DATE	
THE INFORMATION CONTAINED IN THIS DRAWING IS THE SOLE PROPERTY OF BLUE STAR TOWERS, LLC. ANY REPRODUCTION WITHOUT WRITTEN CONSENT IS PROHIBITED.		.X..... ± .030	.XX..... ± .020	DRAWN BY	BJH	3/22/2022	
		.XXX..... ± .010	.XXXX..... ± .005	CHECKED BY			
THIRD ANGLE PROJECTION		MATERIAL		ENG APPR.			TITLE: TILT DOWN TOWER
		STOCK SIZE		INTERPRET PER	ASME Y14.5-2009		SIZE: B
		FINISH		SCALE:	1:30		DRAWING NO. 100502-POLE MOUNT
		DO NOT SCALE DRAWING		SCALE:	1:30		REV. A
				WEIGHT:			SHEET: 1 OF 2

8 7 6 5 4 3 2 1


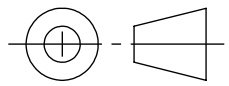
D
C
B
A



WEATHER COVER
(NON LOCKING)

POLE MOUNT CLAMPS(2EA)

DETAIL D
SCALE 1 : 10

PROPRIETARY & CONFIDENTIAL		UNLESS OTHERWISE SPECIFIED		APPROVALS	NAME	DATE		
THE INFORMATION CONTAINED IN THIS DRAWING IS THE SOLE PROPERTY OF BLUE STAR TOWERS, LLC. ANY REPRODUCTION WITHOUT WRITTEN CONSENT IS PROHIBITED.		.X..... ± .030	.XX..... ± .020	DRAWN BY	BJH	3/22/2022		
THIRD ANGLE PROJECTION		MATERIAL		CHECKED BY			DRAWING NO. 100502-POLE MOUNT	
		STOCK SIZE		ENG APPR.			SIZE B	REV. A
		FINISH		INTERPRET PER	ASME Y14.5-2009		SHEET: 2 OF 2	
DO NOT SCALE DRAWING				SCALE:	1:25			

8 7 6 5 4 3 2 1